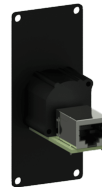
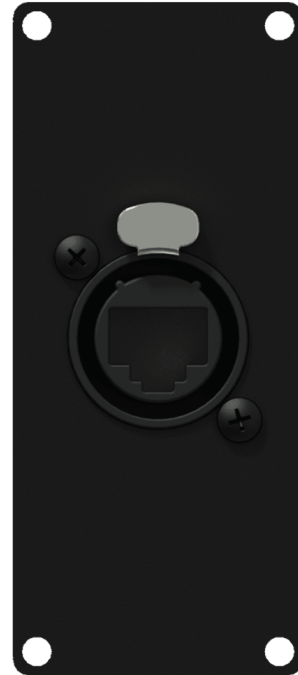


Highlights:

- 1.5 mm thick cold rolled steel frame
- Structured and scratch resistant black powder coating
- Assembly screws included
- Compatible with any CASY chassis
- EtherCON connectors by Neutrik
- Solderless connections
- Flexible system for system integration & connectivity

The CASY167 is fitted with a NE8FAH Ethercon connector on the front side and a female RJ45 connector on the back. This flexible structure for system integration & connectivity can easily be implemented in a wide variety of CASY chassis.




Product Features:

Dimensions	35.5 x 82.1 mm (W x H)	
Weight	0.043 kg	
Module	Space	1
Connection	Ethercon (NE8FAH) to RJ45	

Variants:

- CASY167/B - Black version

	CASY167	Product description: CASY 1 SPACE ETHERCON TO RJ45
	Weight: 43 g	
		Unit height: 2 HE

