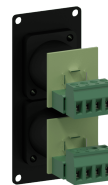


## CASY 1 space with 2x male SpeakON to 4-pin terminal block

### Highlights:

- Solid cold rolled steel construction
- Structured and scratch resistant black powder coating
- Assembly screws included
- Compatible with any CASY chassis
- SpeakON connectors by Neutrik
- Solderless connections
- Flexible system for system integration & connectivity

The CASY142 is a CASY module with two male NL4MP SpeakON connectors on the front side and two 4-pin terminal block connectors on the back side. This flexible structure for system integration & connectivity can easily be implemented in a wide variety of CASY chassis.


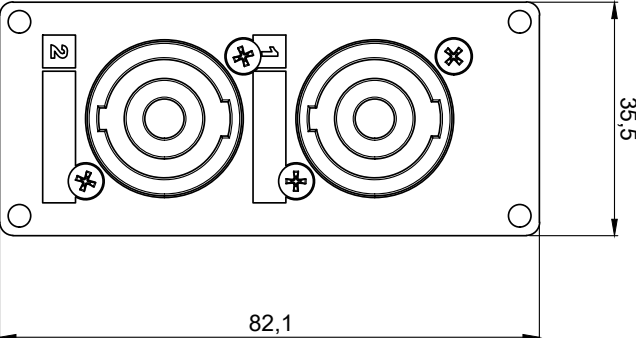


### Product Features:

Dimensions	35.5 x 82.1 mm (W x H)	
Weight	0.075 kg	
Connection	2 x SpeakON (NL4MP) to 4-pin terminal block	
Module	Space	1
Max. section terminal block	0.2 - 2.5 mm <sup>2</sup>	

### Variants:

- CASY142/B - Black version

	<h1>CASY142</h1>			<b>Weight:</b> 75 g	<b>Product description:</b> CASY 1 SPACE WITH 2 X SPEAKON TO 4-PIN TB
<b>Outer dimensions:</b> (w x h x d) 35,5 x 82,1 x 53,4					
<b>Unit height:</b> 2 HE					