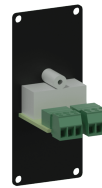
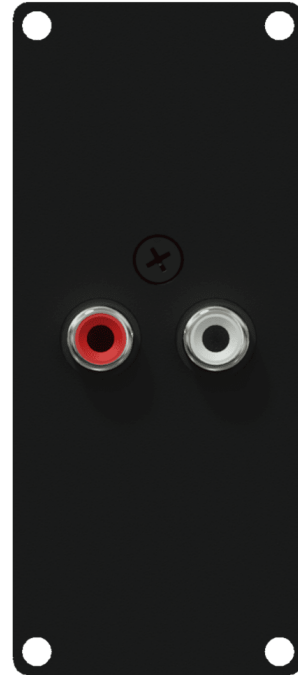


### Highlights:

---

- 1.5 mm thick cold rolled steel frame
- Structured and scratch resistant black powder coating
- Assembly screws included
- Compatible with any CASY chassis
- Solderless connections
- Flexible system for system integration & connectivity

The CASY132 is a CASY module with two female RCA/ cinch connectors on the front side of the module and a terminal block connector on the back. This flexible structure for system integration & connectivity can easily be implemented in a wide variety of CASY chassis.



### Product Features:


---

Dimensions	35.5 x 82.1 mm (W x H)	
Weight	0.044 kg	
Connection	2 x RCA female to 3-pin terminal block	
Module	Space	1

### Variants:

---

- CASY132/B - Black version

	<h2>CASY132</h2>			<b>Product description:</b> CASY 1 SPACE WITH 2 X RCA TO 2-PIN TB
<b>Weight:</b> 44 g	<b>Outer dimensions:</b> (w x h x d) 35,5 x 82,1 x 47	<b>Unit height:</b> 2 HE	