

### Highlights:

- 1.5 mm thick cold rolled steel frame
- Structured and scratch resistant black powder coating
- Assembly screws included
- Compatible with any CASY chassis
- XLR connectors by Neutrik
- Solderless connections
- Flexible system for system integration & connectivity

The CASY126 is a CASY module with two male XLR connectors on the front side and solderless terminal blocks on the backside. This flexible structure for system integration & connectivity can easily be implemented in a wide variety of CASY chassis.

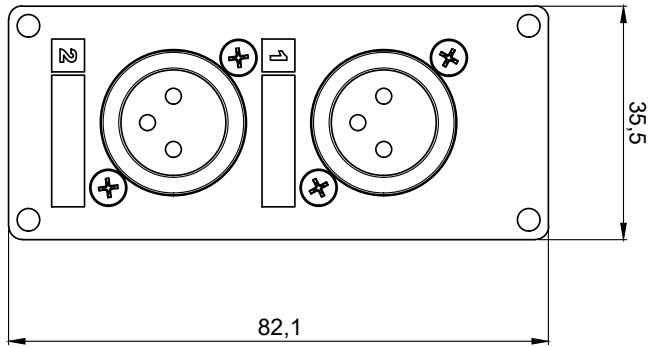



### Product Features:

Dimensions	35.5 x 82.1 mm (W x H)	
Weight	0.043 kg	
Connection	2 x XLR Female (NAC3FAAV) to 3-pin terminal block	
Module	Space	1
Connection	2 x XLR male (NAC3MAAV) to 3-pin terminal block	

### Variants:

- CASY126/B - Black version



	<b>CASY126</b>	<b>Product description:</b> CASY 1 SPACE WITH 2 X XLR MALE TO 3-PIN TB
	<b>Weight:</b> 43 g	<b>Outer dimensions:</b> (w x h x d) 35,5 x 82,1 x 47,7